

Optigo FMD

Commercial air coolers - dual discharge

General information & application

Optigo FMD are commercial dual discharge air coolers for general application in small to medium-sized cooling, freezing and working rooms. Low air velocity and noise level make them especially suitable for refrigerated working and processing rooms. Dedicated ranges for HFC* refrigerants (FMDE), CO₂ (FMDX) and brine (FMDW).

Refrigerants	HFC*, CO ₂ , brine
Capacity range (SC2)	1470 up to 14570 W
Air inlet temperature	-25 up to +30 °C
Fluid inlet temperature	-40 up to +20 °C

* Fluid group 2 according to EN 378

Coil

Innovative coil manufactured from internally grooved Cu tubes and aluminium fins.

Casing

Durable aluminium alloy metallic casing, epoxy coated RAL 9003. Hinged driptray. Dismountable and openable casing for cleaning purposes. Vertical plastic drain connection.

Fan motors

1 to 4 fans fitted with EC fan motors available in two fan speeds (noise levels):

- H = High Speed (1100 RPM)
- L = Low Speed (900 RPM)

Fan diameters 350 mm. Power supply 230/50-60/1. Fan motors wired to connection box.

Working pressure

Model	Refrigerant	Max working pressure
FMDE	HFC*	24 bar
FMDX	CO ₂	60 bar**
FMDW	Brine	24 bar

** 85 bar in special execution

Fitted with schröder valve on the suction connection for testing purposes (only for FMDE and FMDX units).



Optigo FMD

Options

- Electric defrost (E)
For cold rooms with room temperatures below 4 °C frost build-up is likely, the application of a defrosting system is advised. The stainless steel defrost elements are connected to separated terminal box.
- Coil corrosion protection
- pre-coated aluminium fins (AP)
- Horizontal metallic drain connection available on request
- Stainless steel tubes (AISI 304)
- EC fan motors with 0-10 V speed regulation
- Re-heating coil available on request
- Water drain pump available on request

Benefits

- Compact size for efficient use of cold room space
- Low air velocity and low noise for comfortable working conditions
- Energy efficient EC fans
- Easy-install and maintenance thanks to fully accessible casing construction
- Two-year product guarantee
- Easy access to on-line product information



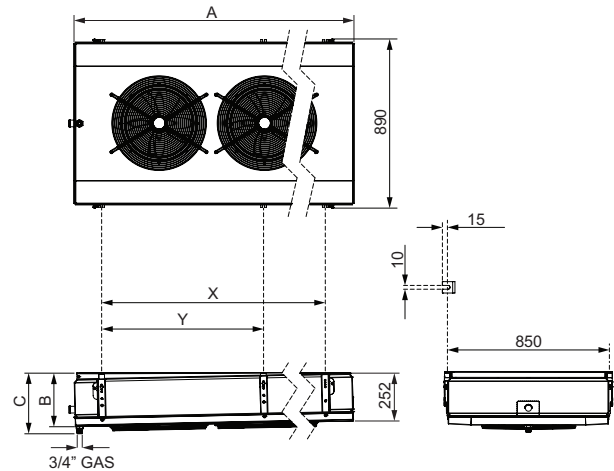
Optigo FMD

Fan motors

EC ø 350 mm	
Fan blade material	Plastic PP
Fan guard material	Steel black coated
Protection class	IP54
Insulation class	B
Condensate discharge	None, open rotor
Bearings	Maintenance-free ball bearings
Motor protection	Electronics
Fan speed	H = High Speed (1100 RPM) L = Low Speed (900 RPM)

No. of fans	Speed	Nominal power	Nominal current
		W	A
1	H	85	0.7
	L	42	0.4
2	H	170	1.4
	L	84	0.8
3	H	255	2.1
	L	126	1.2
4	H	340	2.8
	L	168	1.6

Dimensions



Casing type	Dimensions (mm)				
	A	B	C	X	Y
1	892	269	307	596	-
2	1447	281	319	1151	-
3	2002	293	331	1706	853
4	2557	293	331	2261	1130

Code description

FMD	E	-	2	2	1	3	-	BP	-	N	-	AL	CU	*	-	*	*
1	2		3	4	5	6		7		8		9	10	11		12	13

- 1 Optigo FMD dual discharge commercial air cooler
- 2 Refrigerant system (E=HFC, X=CO2, W=brine)
- 3 Casing type (1 to 4)
- 4 Number of fans (1 to 4)
- 5 Coil type (1, 2)
- 6 Fin spacing (3=3.0, 4=4.5, 7=7.0 mm)
- 7 Packing (BP=box + pallet, CR=crate)
- 8 Defrost system (N=air defrost, E=electric defrost)
- 9 Fin material (AL=aluminium, AP=pre-painted aluminium)
- 10 Tube material (CU=copper)
- 11 Circuits code - only for brine and CO2 units
- 12 Applications - only for CO2 units (blank=DX 60 bar design pressure, P=pumped 60 bar, 85=DX 85 bar design pressure)
- 13 Options

Selection

Selection and pricing is to be performed with our Alfa LU-VE air heat exchanger selection software. Selection output includes all relevant technical data and dimensional drawings.

Certifications

The Alfa LU-VE quality system is in accordance with ISO 9001. All products are manufactured according to PED regulations.

All FMDE models are EUROVENT certified. Certified data:

- Capacities (ENV 327)
- Air quantities
- Motor power consumption
- External surfaces



100002721EN 2008

Alfa LU-VE is a trademark registered and owned by LU-VE Group. Alfa LU-VE reserves the right to change specifications without prior notification.

How to contact Alfa LU-VE

Up-to-date Alfa LU-VE contact details for all countries are always available on our website at alfa.luvegroup.com