



# Alfa Laval AlfaCubic

## Commercial air coolers - single discharge

### General information & application

Commercial unit coolers designed for use in small and medium cold rooms from 10 up to 400 m<sup>3</sup>. Models designed for easy maintenance with immediate access to inspection areas. This series is available as DX evaporator and brine unit cooler. A selection of models is available from stock.

Refrigerants	all H(C)FC, brine
Capacities (SC2)	1.5 up to 60 kW
Air volume	1527 up to 30350 m <sup>3</sup> /h.

### Standard configuration

- Finned coil
  - H(C)FC Inner grooved Cu tubing  $\varnothing$  12 mm, triangular tube pitch
  - Brine Smooth Cu tubing  $\varnothing$  12 mm, triangular tube pitch
  - Corrugated Alu-fins
  - Fin spacings 4, 5.5, 6, 7, 8, 10 and 11 mm.
- 1 to 4 AC fans,  $\varnothing$  250 mm up to  $\varnothing$  500 mm, drawing trough the coil. Fan motors 230V/50-60Hz/1ph or 400V/50-60Hz/3ph in two noise levels (H/L). Motors with dynamically and statically balanced external rotors, manufactured in accordance with VDE 0530/12.84.
- Corrosion resistant materials: coil frame AluZinc, casing strong and durable sheet metal, powder coated RAL 9002.
- Hinged drip tray and side covers for easy installation and maintenance.
- Sufficient space for mounting of expansion valve inside casing.
- Mounting brackets allow flush ceiling mounting.
- Fitted with schröder valve on the suction connection for testing purposes.
- Pumped system available on request.
- Stickers indicate fan direction and refrigerant in/out.
- Delivery in mounting position. Coolers are mounted on wooden beams. Installation can take place with use of a forklift.



AlfaLaval AlfaCubic

### Design pressure

Design pressures DX 33 bar, brine 6 bar. Each heat exchanger is leak tested with dry air and finally supplied with a nitrogen pre-charge.

### Typical application

Series	GL	RL	BL
Product	Fruit/vegetables	Meat/fish	Frozen food
Room temperature	+10 to 0 °C	0 to -7 °C	-18 to -25 °C
Fins spacing (mm)	4	5.5, 6	7, 8, 10, 11

### Benefits

- Wide & versatile cooler range, designed for all working conditions.
- Advanced product selection software available.
- Low noise level
- Eurovent certified performance (HFC DX models only).
- Stock range available
- Energy efficient.
- Low total cost of ownership.
- 18 Months product guarantee.
- Easy access to additional on-line product information (QR code)

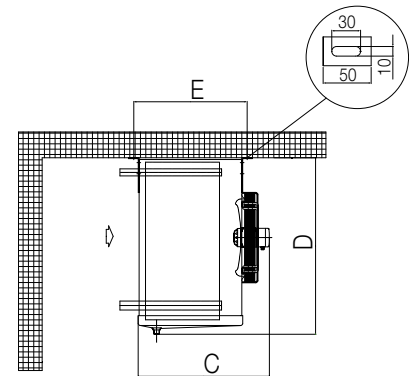
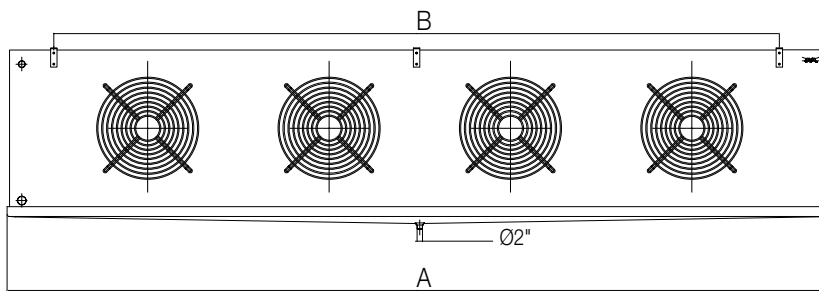


AlfaCubic

## Options

- Defrost systems
  - Electric defrost (E)
  - Electric defrost light (LE)
  - Hotgas defrost in coil & driptray (HG)  
*(DX & pumped models only)*
  - Hotgas defrost + electric in driptray (HG + HD)
  - Heater driptray (HD)
- Driptray insulation (IS)  
Not combined with electric defrost
- Fan ring heater (FH)
- Re-heating coil (RH)
- Fan motors wired to a terminal box (CB)
- Safety switch (SW)
- Stainless steel 304 casing & coil frame (SS)
- Epoxy coated fins (EP)
- Air sock adapter ring (SR),  $\varnothing$  400 & 500 mm only
- AlfaStreamer (ST),  $\varnothing$  400 & 500 mm only

Model	Dimensions (mm)					
	refrigerant		B	C	D	E
	E	W				
A	A					
251	840	970	530	460	395	410
252	1340	1470	1030	460	395	410
253	1840	1970	1530	460	395	410
351	840	970	530	460	585	410
352	1340	1470	1030	460	585	410
353	1840	1970	1530	460	585	410
354	2340	2470	2030	460	585	410
401	910	1040	600	630	685	530
402	1510	1640	1200	630	685	530
403	2110	2240	1800	630	685	530
502	2140	2140	1700	650	830	530
503	2990	2990	2550	650	830	530
504	3840	3840	3400	650	830	530



## Code description

BL	W	H	25	1	A	S	230V	2	CR	AP	E	-	AL	7.0	Cu	IS
1	2	3	4	5	6	7	8	9	10	11	12		13	14	15	16

- AlfaCubic series (BL, GL, RL)
- Refrigerant system (E = dry expansion, W=water/glycol,
- Noise level (H=high, L=low)
- Fan diameter (25=250, 35=350, 40=400, 50=500 mm)
- Number of fans (1 to 4)
- No. of tube rows (A=4, B=6, C=8)
- Phases (S= single phase, D= 3 phases  $\Delta$  connection)
- Motor voltage (230V, 400V)
- No. of circuits
- Packing (CR=crate)
- Casing material (AP= powder coated, SS= stainless steel)
- Defrost system (A= air, E= electric defrost, HG= hotgas)
- Fin material/coating (AL=aluminium, EP= epoxy coated aluminium)
- Fin spacing (4, 5.5, 6, 7, 8, 10 and 11 mm)
- Tube material (Cu=copper)
- Options

## Selection

Selection and pricing is to be performed with our Alfa Laval air heat exchanger selection software. Selection output includes all relevant technical data and dimensional drawings.

## Certifications

All DX cooler models are "Eurovent Certify All" certified. The Alfa Laval quality system is in accordance with ISO 9001. All products are manufactured according to CE and PED regulations.



AHE00011EN 1501

Alfa Laval is a trademark registered and owned by Alfa Laval Corporate AB. Alfa Laval reserves the right to change specification without prior notification.

## How to contact Alfa Laval

Up-to-date Alfa Laval contact details for all countries are always available on our website at [www.alfalaval.com](http://www.alfalaval.com)